

Solar Lantern with Radio

SB-5013/Outdoor solar lantern/Camping lantern

www.SORBO.cn

This product adopts the principle of solar-energy and crank for power generation to charge its inner battery. The internal professional design of variable speed drive mechanism drives a built-in AC, then through rectifier voltage convert to DC. This product adopts the high-quality digital processing system to accept FM radio. With high-sensitive radio, high-quality sound, built-in speaker.

Functions & Feature:

- ▶ 6 LEDs lighting with high-luminance
- ▶ Cranking for power generating and accumulating in high-efficiency
- ▶ Charge other products via DC port
- ▶ With a metal handle to carry
- ▶ Solar-energy for power generation
- ▶ FM radio

Main Technical Parameters:

1) Lighting :

The Max. Luminous Flux	7 Lm
Lighting time after 1 hour charging under sunlight (500W/ M ²)	≥25 Min
Lighting time after 1 minute cranking	≥15 Min

4) Size and Weight :

Product size	76×76×180mm
Product weight	230 g

2) Radio :

Sensitivity of the FM	Better than 5 uV
Reception scope of the FM	76 ~108 MHz
Radio working time after 1 minute cranking (2.5 - 3 circles/s)	≥ 5 minutes
Radio working time after 1 hour charging under sunlight (500W/ M ²)	≥ 4 minutes
Max. current flux of being charged by solar energy	15mA (750W/ M ²)
Output charging current	250~400mA

3) Main parts life-span :

Switch	≥5000 Times
The whole unit	≥5 Years
The plastic part	≥5 Years

5) Others :

Specification of built-in battery	120mAh, 3.6 V
Diameter of built-in speaker	Φ36mm (one)
Built-in antenna length	Φ4×60mm

Operation Method:

- ▶ Lighting: Press the "LIGHT" switch to turn on or off.
- ▶ Charged by solar power: Put the solar panel upwards under the sunlight for charging.

Solar Lantern with Radio

SB-5013/Outdoor solar lantern/Camping lantern

www.SORBO.cn

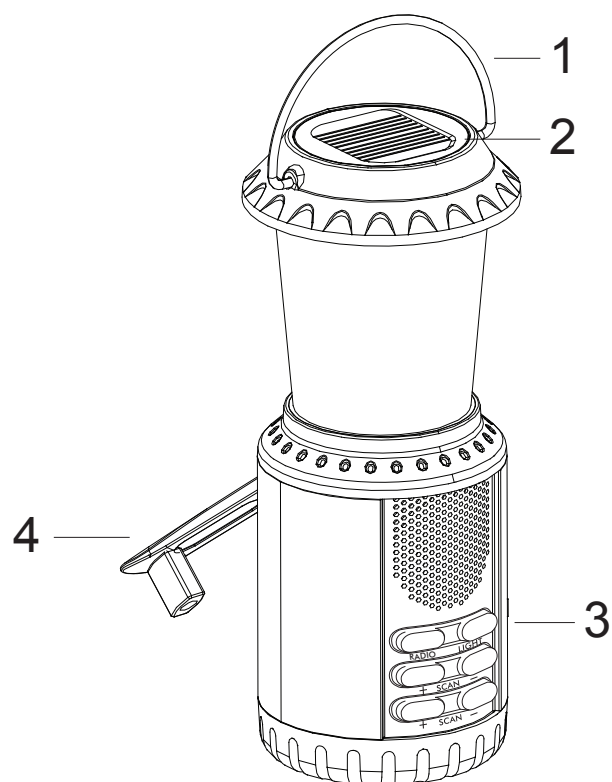
- ▶ Charge for digital devices: Get DC port, then connect this product with mobile phone or other digital devices via connection cable. Unlock the handle, crank it at the speed of 2.5 to 3 circles per second.
- ▶ Reception of radio: Operation of the power switch: Press the "RADIO" switch to turn on or off the radio.
Station Search: Press "SCAN+" or "SCAN-" to search the radio program.
- ▶ Volume adjusting: Press "VOL+" or "VOL-" to adjust volume by single step.
Hold and press switch can adjust by degrees.

Note:

- a. It is advised to turn the volume to the optimal position (be comfortable) when you listen.
- b. Avoid places like high building, basement, etc as possible as you can, such places will badly influence the effect of the reception. Leave far away from the induction cooker, fluorescent lamp, car generator, motor, computer or such electrical equipment that may disturb the signal easily.

Cautions:

1. Don't point at eyes directly so as not to hurt the eyes.
2. Pay attention to the holding gesture when cranking which can protect your finger and nail from hurting.
Keep rotating steadily.
3. In order to assure the using life of the battery and the mechanical parts, please pay attention to the instructions below:
 - a) Do not crank it for more than 5 minutes when the power of the battery is enough (lighting normally) and less than 10 minutes when it runs out of power.
 - b) When the light is dim, it means the battery is lack of power badly, please turn off the light or crank it for a while.
 - c) Cranking it as even as possible (keep rotating steadily, 2.5 or 3 circles per second is best). Too slowly cranking would make current weak and influence the charging efficiency, and too violent cranking possibly damages the driving system.
 - d) In order to prolong the lifespan of the battery, you should crank it for at least one minute once a month.
4. Do not place this product in which temperature or humidity is high. Do not drop or hit this product.
5. Turn off the light when charging in order to enhance the efficiency of charging.
6. The product will be a little heated if cranking for a long time.
7. We reserve the right to change the specifications of the hardware and software described in this manual without prior notice.



1. Metal handle
2. Solar panel
3. Button
4. Cranking handle



MADE IN CHINA